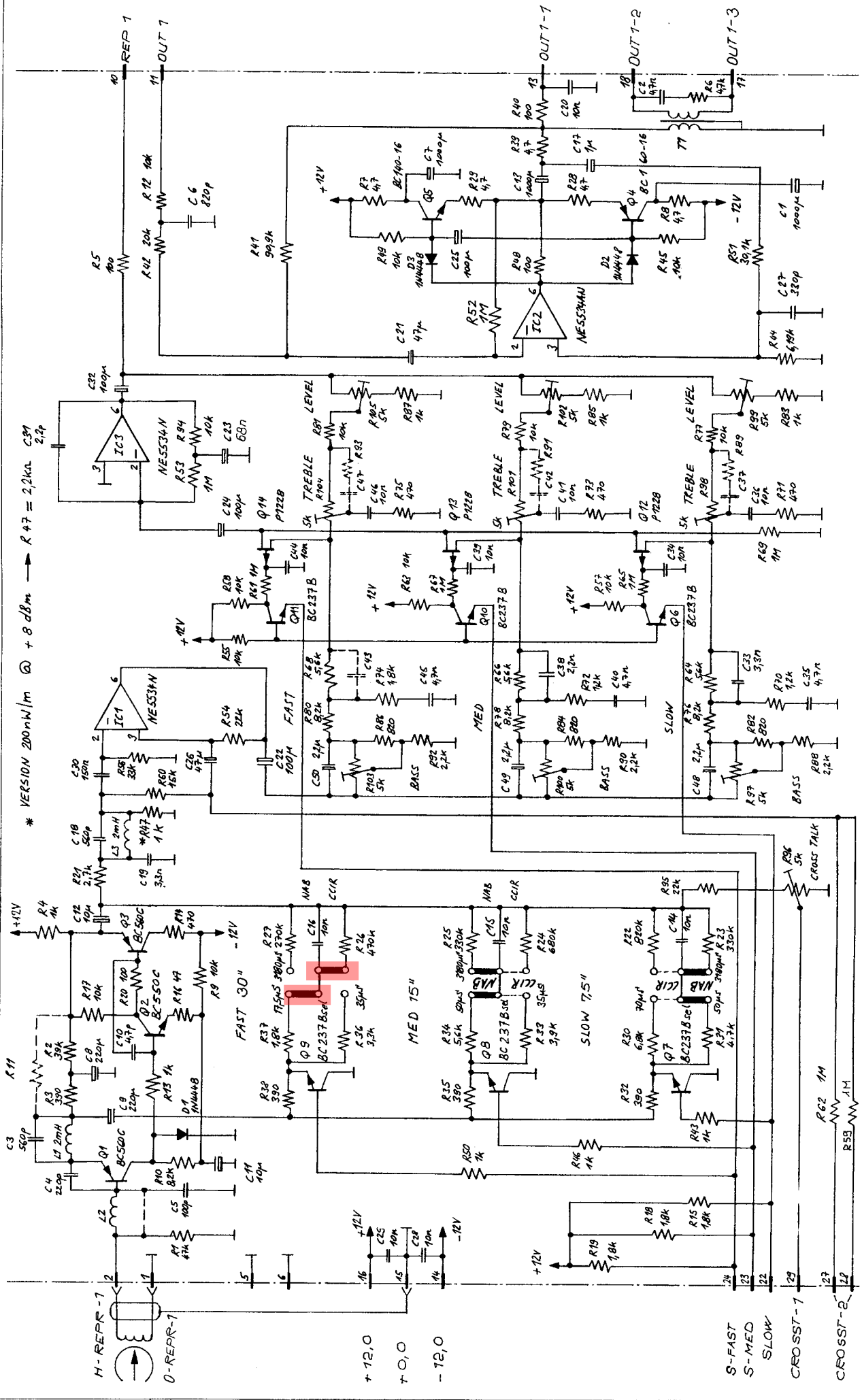
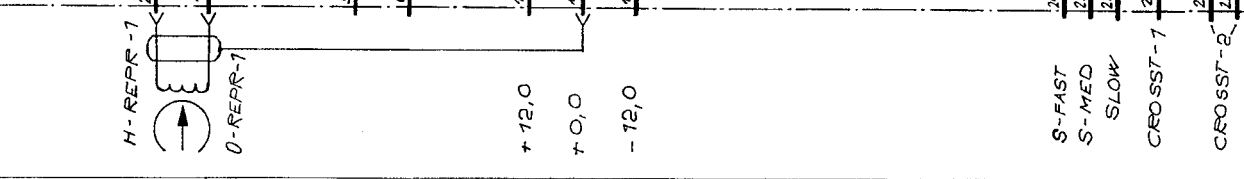


REPRODUCE AMPLIFIER PCB 7.5/15/30 ips 1.167.715-81 GR34 EL1/2



\* VERSION 200nW/m @ + 8 dBm → R 47 = 2.2kΩ CB1 21p



REPRODUCE AMPLIFIER PCB 3.75/7.5/15 ips 1.167.715-81 GR34 EL1/2

