

SIMPLIFIED ALIGNMENT OF A80 VU MULTITRACK

(If either the A80 Audio Remote Control Unit or suitably wired Remote Control Plugs are used)

The alignment can be simplified in these two cases because it is possible to route the input signal to the reproduce line output.

With the A80 Audio Remote Unit one simply selects INPUT.

If no A80 Audio Remote Unit is fitted, the remote control plugs can be wired with 2 links as shown. With these links (when the mode selector 1 is in the remote position) the sync signal is routed to the repro line output and the ready lamp comes on. If the machine is put into record then the input signal is routed to the repro line output.

This is useful when overdubbing on a channel, as it automatically switches between sync and input. Also, when aligning the machine, if all channels are switched to remote, with the machine in record, then the input on any channel is routed to its output.

This allows the simplified alignment detailed below.

Note. In both cases it is assumed that the later type of switching code P.C. type 1.081.815 is fitted.

1. LINE INPUT ADJUSTMENT

Supply "0 VU" (usually +4dbm line level) to all inputs of the A80 from the desk output

Meter switch 8 set to RECORD

Calibrate switch 6 pushed in

Adjust RECORD (LINE) LEVEL pot 3 so that channel VU meter reads -6db

Release calibrate switch 6

Adjust meter record preset pot 10 so that VU meter reads "0 VU"

2. REPRODUCE LINE OUTPUT ADJUSTMENT

Switch all channels to INPUT on audio remote unit (or if using suitably wired remote plugs as detailed before, select remote and put machine into record). The input signal is now routed to the repro line output.

Supply "0 VU" to all channels

Meter switch 8 set to REPRO

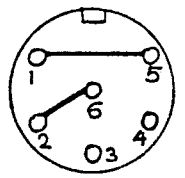
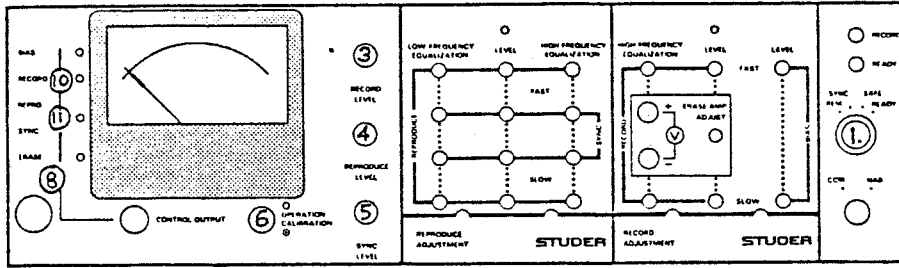
Calibrate switch 6 released

Adjust REPRODUCE (LINE) LEVEL pot 4 to give + 4dbm at repro line out (or "0 VU" on desks VU, reading line return)

Adjust repro/sync meter preset pot II so that VU meter reads "0 VU"

The A80 VU line input levels and meter presets have now been aligned to the desk and should not normally need readjustment.

Sync, reproduce, bias, record and equalisation levels can now be adjusted to any operating levels, using the channel VU meters and the pots on the reproduce and record adjustment modules. (Note that the calibrate switch 6 does not have to be used as internal levels and meter readings have already been calibrated.)

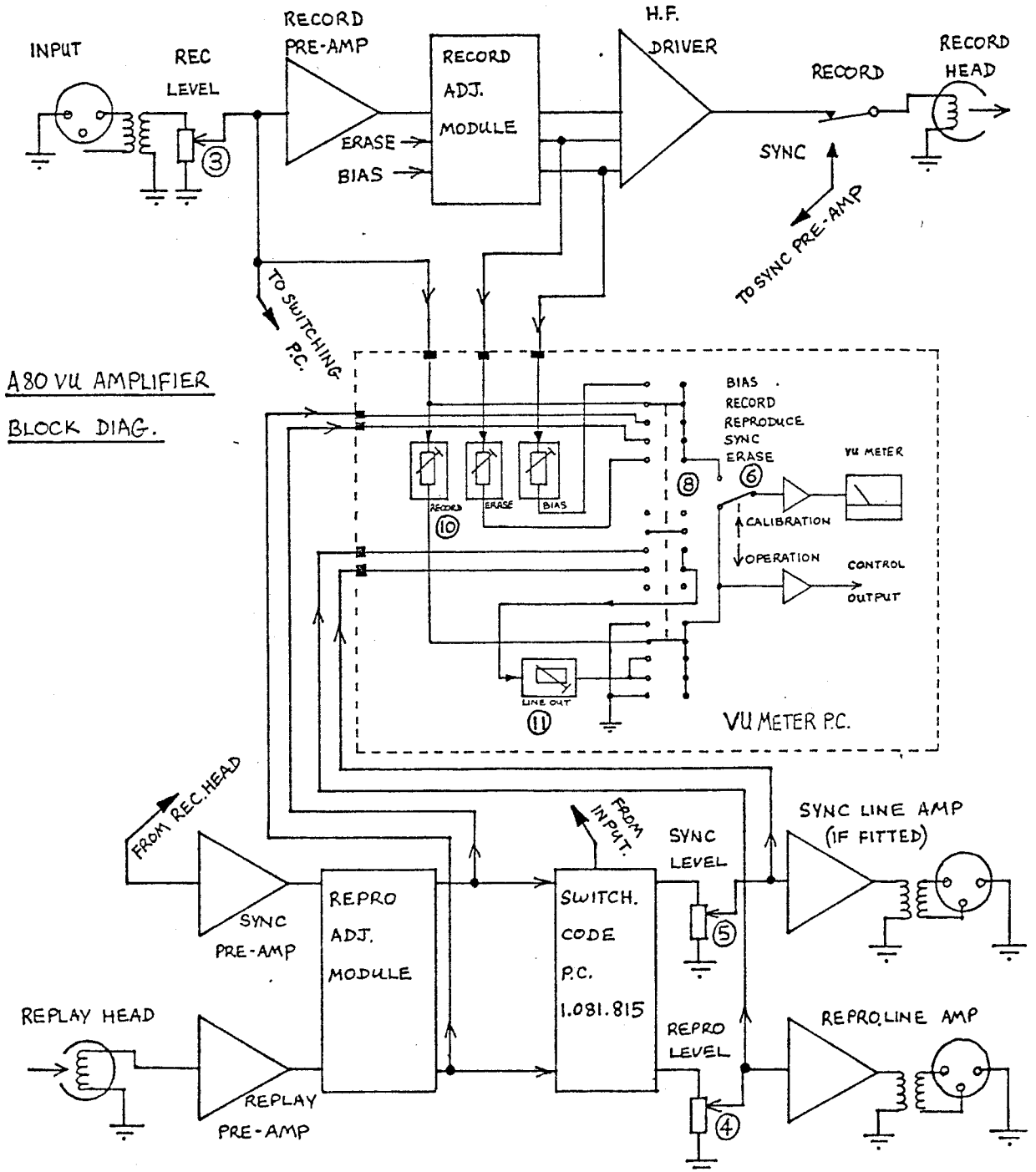


- 1 MODE SELECTOR SWITCH
- 3 RECORD (LINE) LEVEL
- 4 REPRO (LINE) LEVEL
- 5 SYNC (LINE) LEVEL
- 6 CALIBRATION SWITCH
- 8 METER SELECT SWITCH
- 10 RECORD METER PRESET
- 11 REPRO/SYNC METER PRESET

A80 VU FRONT PANEL

REMOTE CONTROL PLUG

LINK PINS 1 AND 5
LINK PINS 2 AND 6



A80 VU AMPLIFIER

BLOCK DIAG.